

**!ATTENTION: READ BEFORE ASSEMBLING/OPERATING!**

**ASSEMBLY & PACKING INSTRUCTIONS FOR THE MULTICHAIR 3000tx**



**!ATTENTION: READ BEFORE ASSEMBLING/OPERATING!**

**November 2016**

# ASSEMBLY INSTRUCTIONS

## !ATTENTION: PLEASE READ!

Please see Page 6: LIMITED WARRANTY of these instructions. If the warranty is not acceptable, contact Nuprodx, Inc. for information about returning the chair for a refund (Restocking fees and shipping charges will be applied). This chair is designed and intended for indoor shower and bathroom use. It is not designed for outdoor use and will void the warranty if used in this fashion.



Figure 1  
multiCHAIR 3000tx  
and carrying case

**A** Standard multiCHAIR 3000tx with transfer cushion installed on user's right side is shown in Figure 1.

**B** Unpack all parts from the shipping carton. Remove all tape and/or packing from the chair. Keep shipping materials for future use. Note the location of padding materials and sheet plastic which protects parts of your chair.

**C** Open the seat frame, lock the slide bolts, and position the frame upside down (Refer to Figures 2 & 3).

### SAFETY PRECAUTION!

Failure to ensure that the slide bolts are correctly positioned and locked into place will cause the chair to become unstable. This could cause serious injury or even death!

**D** Position the seat frame upside down and install the four legs. Note that the top of each leg has a machined portion approximately one inch wide. The top end of each leg should fit easily into the socket of the frame. Make sure that the legs slide "home" into the sockets. Use the included 1/4" Allen wrench to tighten the bolts located at the corners of the frame. For ease of future leg height adjustment, position each leg in the socket so that the adjustment holes face outward (Refer to Figures 3).

### SAFETY PRECAUTION!

If any of the legs are not fitted correctly into the socket of the seat frame or are not securely tightened there is an extreme risk of the legs dislodging completely from the chair. This could cause serious injury or even death!

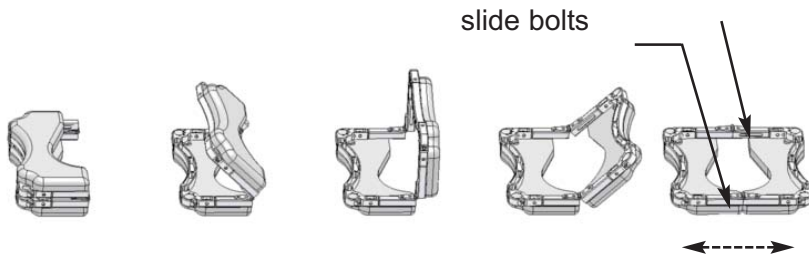


Figure 2

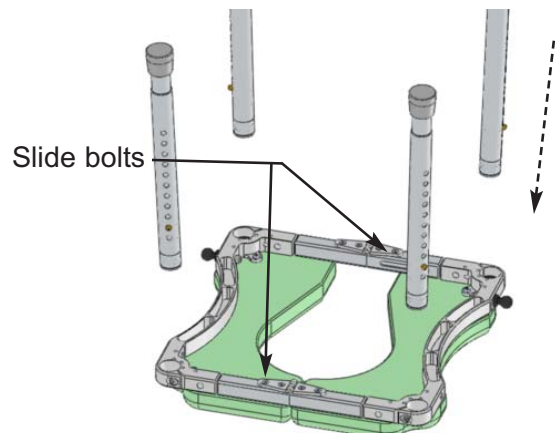


Figure 3

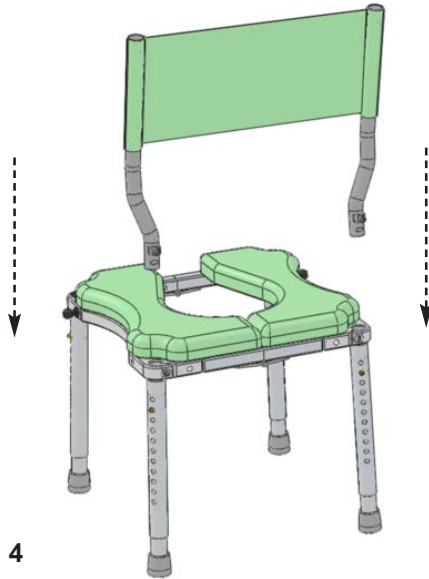


Figure 4

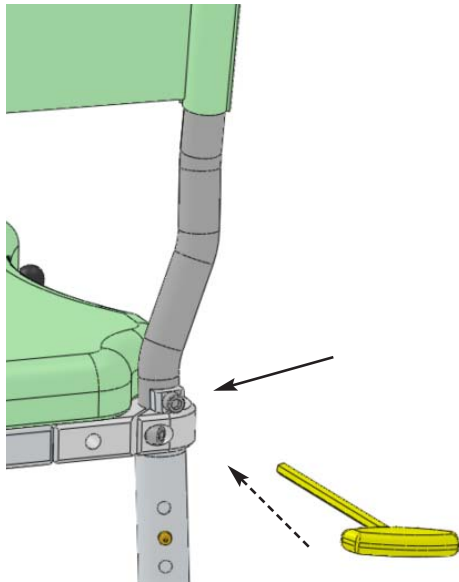


Figure 5

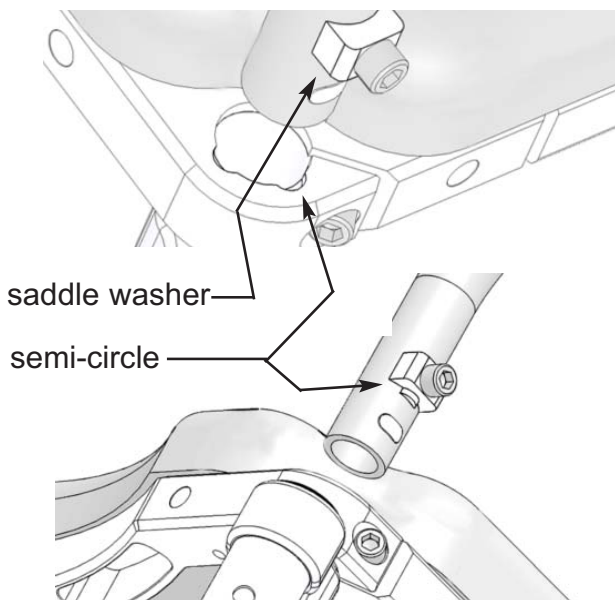


Figure 6

**E** Turn the chair right side up and install the backrest assembly. Slide the two backposts into the back of the seat frame and then install the cloth back. Next tighten the two socket head cap screws using the 1/4" Allen wrench (Refer to Figure 4 & 5). If desired, the saddle washers can be turned upside down and mated with the corresponding semi-circle located on the frame. This can help prevent the back posts from rotating while in use (Refer to Figure 6).

**SAFETY PRECAUTION!**

Both backrest posts must be completely engaged with the seat frame and securely tightened. If they are not fitted correctly, there is a risk of the posts dislodging from the seat frame. This could cause serious injury or even death!

**F** Install the swing-away arms by first slipping the end of the arm with the steel pin into matching holes in the frame. Lower down the arms until the latch engages around the black plastic ball attached to either side of the frame (Refer to Figure 7).

**SAFETY PRECAUTION!**

The swing-away arms are not designed to support the entire body weight of the user. Using the arms as a support for transferring into the chair and/or putting extreme amounts of pressure on them could result in damaging the arms and is not recommended.

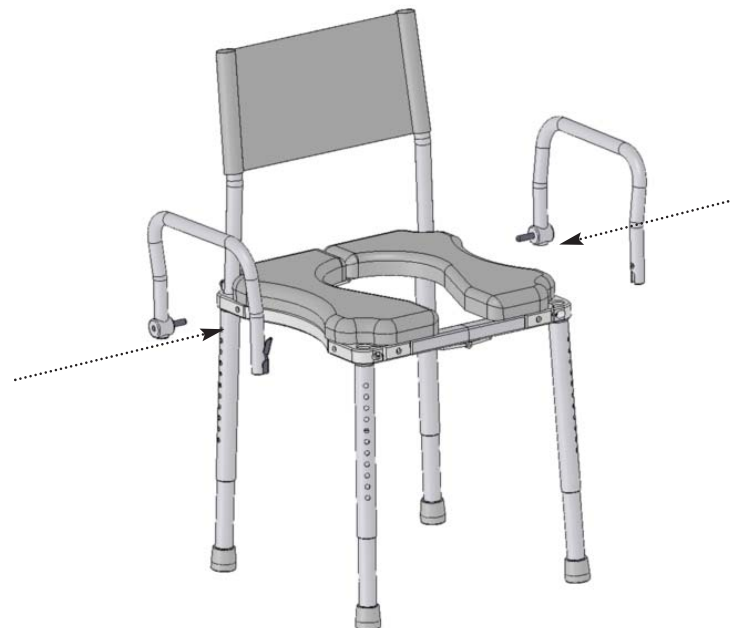


Figure 7

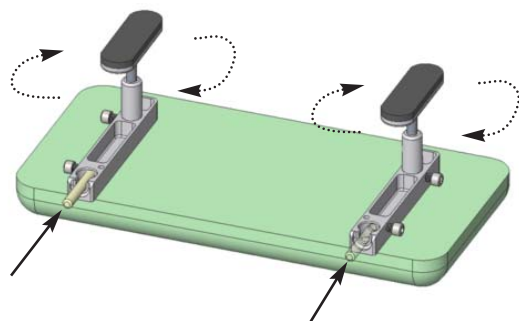


Figure 8

**G Transfer Cushion Assembly:**

- 1) Insert the rubber adjusting feet into the aluminum blocks attached to the cushion (Refer to Figure 8).
- 2) Depending on which side of the multiCHAIR you need to transfer to, insert the stainless steel pin into the appropriate aluminum block and tighten using the 1/4" Allen wrench (Refer to Figure 8).

**SAFETY PRECAUTION!**

Failure to securely tighten the stainless steel pin into the transfer block could cause the entire transfer cushion assembly to dislodge from the multiCHAIR while in use. This could result in serious injury or even death!

- 3) Remove the swing-away arm on the side in which you intend to transfer to. Next, insert the transfer cushion assembly into the appropriate side of the multiCHAIR by first slipping the end with the stainless steel pin into matching hole in the frame. Then lower down the assembly until the block engages around the black plastic ball attached to either side of the frame. Adjust the rubber adjusting feet accordingly to secure the transfer cushion onto the top of the tub wall (Refer to Figure 9).

**SAFETY PRECAUTION!**

The transfer cushion assembly should only be used when properly seated on top of a bath tub wall. If seated incorrectly while transferring, the multiCHAIR could tip to one side causing the user to fall. This could result in serious injury or even death!

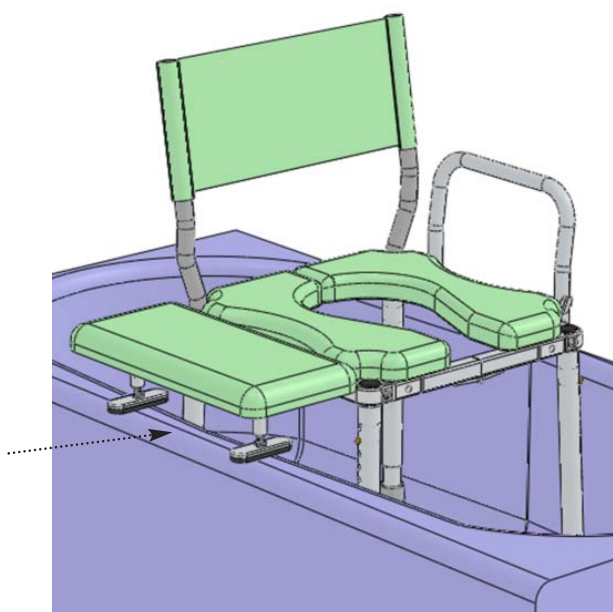


Figure 9

**ADDITIONAL ASSEMBLY INSTRUCTIONS**

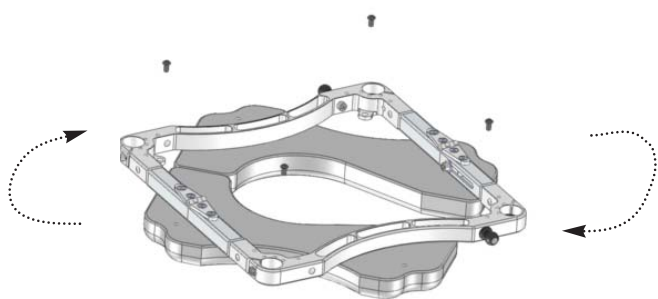


Figure 10

**A Seat Cushion Orientation:** The standard seat cushion orientation is with the commode opening in the front of the multiCHAIR. If desired, the commode opening can also be orientated left/right/rear. This can be accomplished by unscrewing the four button head cap screws that attach the cushion to the frame, orientating the commode opening to the desired location and then re-attaching the cushion to the frame with the four screws using the 5/32" Allen wrench (Refer to Figure 10).

# OPERATING INSTRUCTIONS

**A** Ensure all fasteners (bolts/washers) are securely tightened and all chair parts have been assembled correctly (Refer back to Assembly Instructions if needed. Contact Nuprodx, Inc. if unsure of anything).

**B Commode Chair:** Position the multiCHAIR over the toilet, so that the center of the commode opening is directly above the center of the toilet bowl. Adjust the height of the multiCHAIR accordingly by setting the position of the brass buttons on the four inner legs to the various adjustment holes on the outer legs (Refer to Figure 11).

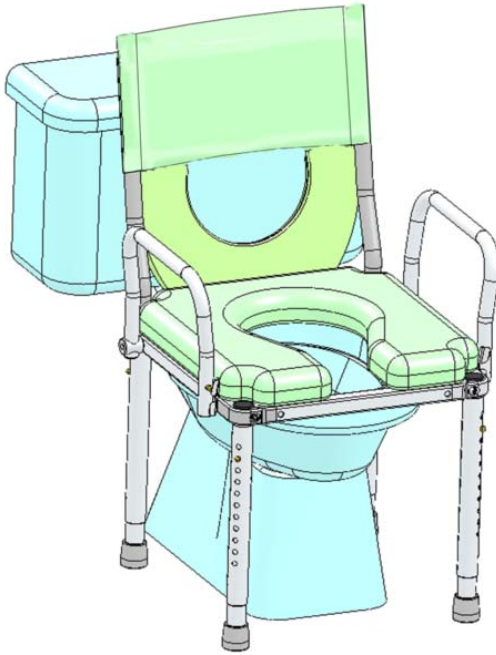


Figure 11

## SAFETY PRECAUTION!

Ensure that the height of each inner leg is set to make the multiCHAIR level. If this is not properly done, the multiCHAIR could tip to one side causing the user to fall. This could result in serious injury or even death!

**C Shower Chair:** Position the multiCHAIR inside the bathtub/shower. Adjust the height of the multiCHAIR accordingly by setting the position of the brass buttons on the four inner legs to the various adjustment holes on the outer legs.

# ADDITIONAL SAFETY PRECAUTIONS

## !ATTENTION: PLEASE READ!

**WARNING!** Failure to account for the aforementioned and the following safety precautions can result in serious injury to the user or even death!

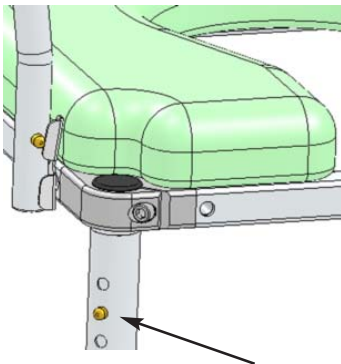


Figure 12

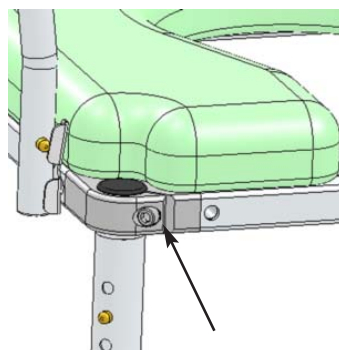


Figure 13

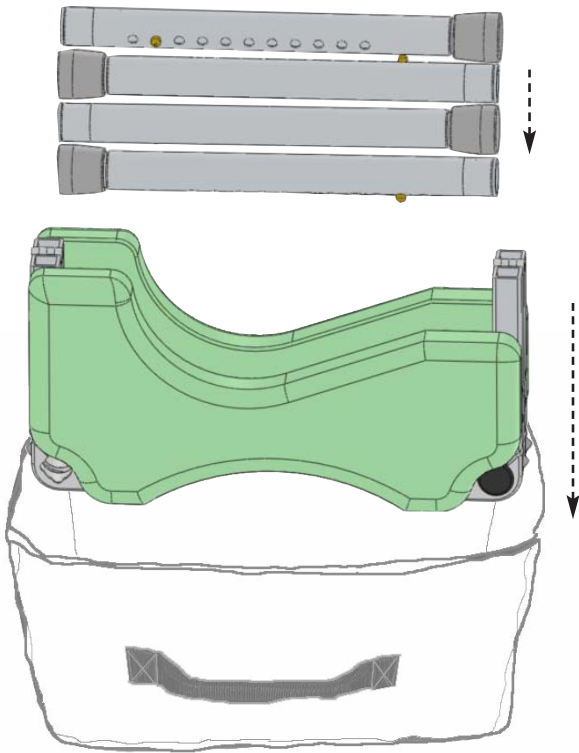
**A Leg Height Adjustment:** When making height adjustments to any of the legs, make sure that the brass buttons are fully engaged into the outer legs. If pushed too hard the button could become stuck inside the inner leg (Contact Nuprodx, Inc. if this occurs). Leg height adjustment should only be made before transferring the user into the chair (Refer to Figure 12).

**B Crutch Tips:** Before transferring into and out of the chair, all four crutch tips must be securely planted onto the floor. Failure to do so could cause the chair to become unstable.

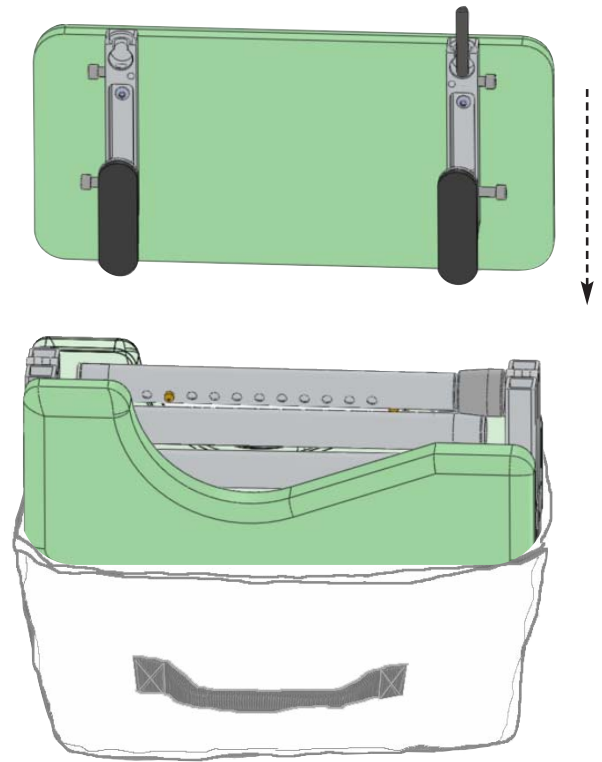
**C Fasteners:** Over time the screws and washers on the chair may become loose. It is very important that these are checked and securely tightened before each use. Failure to do so could cause a part to dislodge from the chair (Refer to Figure 13).



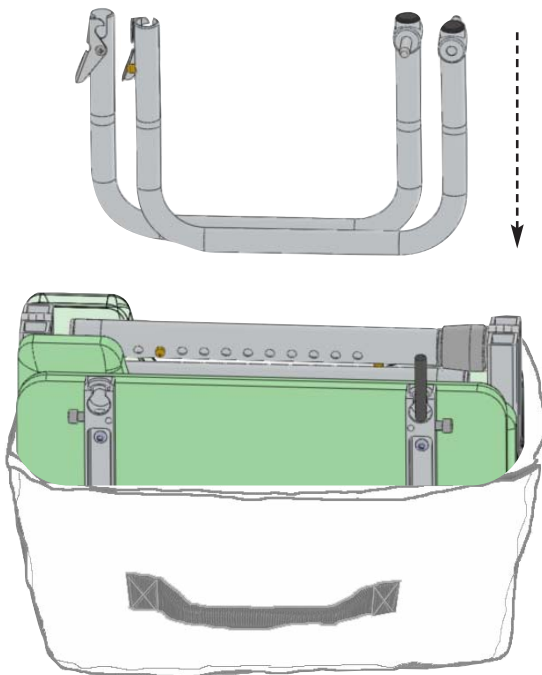
# PACKING INSTRUCTIONS



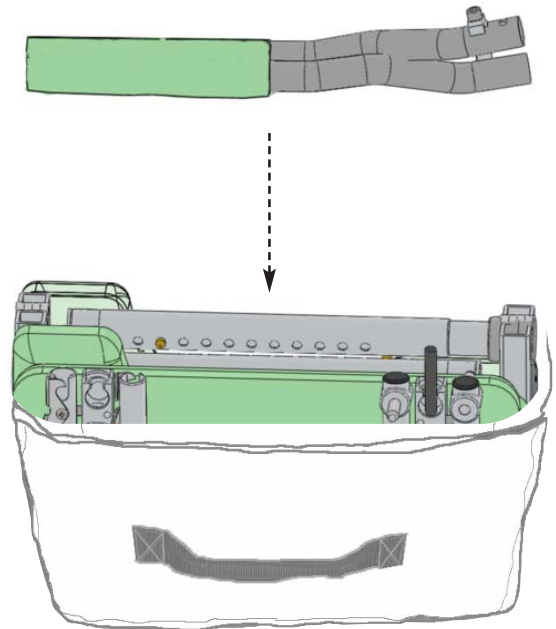
**Figure A** - Put the folded seat frame, hinge side down, inside the carrying case and alternate the legs, as shown, in the cavity of the folded seat frame



**Figure B** - Insert the transfer cushion assembly in front of the seat frame



**Figure C** - Locate the upturned side arms in front of the transfer cushion. Overlay the arms with one on one side of the aluminum block and the other arm on the other side



**Figure D** - Stow the cloth back assembly on top of the arms, along with the tool set

