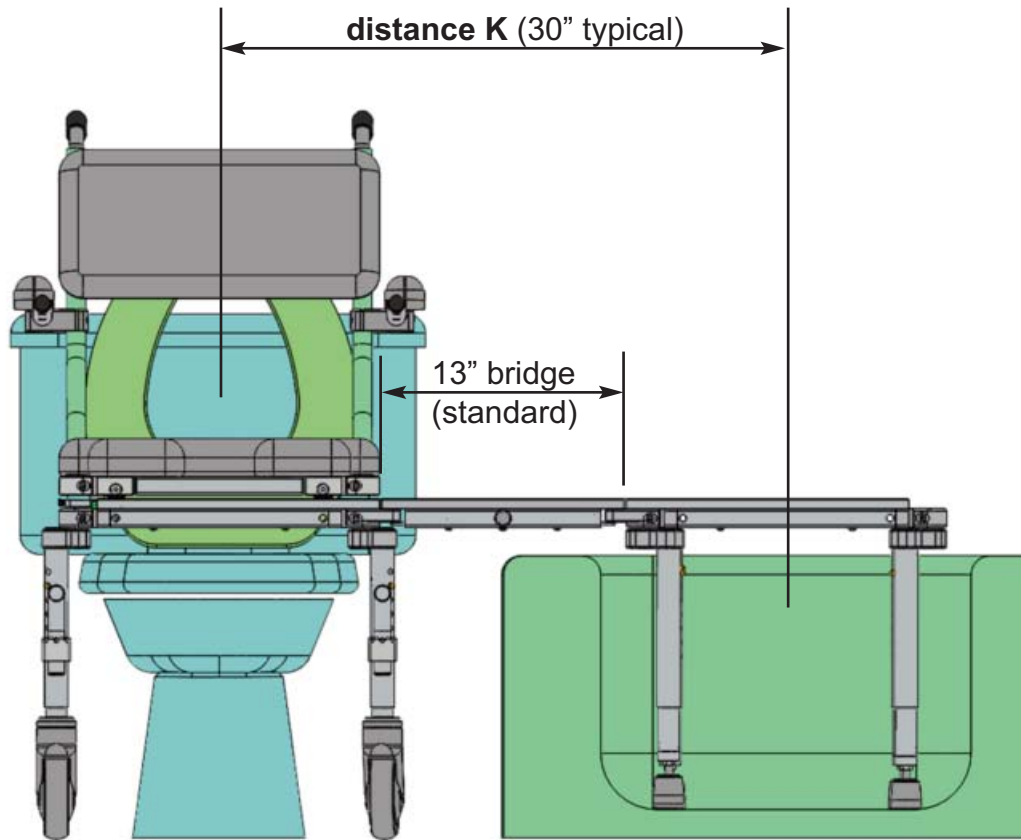


## Bridge Length Calculator



Front view of a multichair 6000 with toilet and tub

1. Measure the distance from the center of tub or shower drain / spout to center of toilet bowl (or center of where customer desires roll-in section to be located). This distance is equal to **K** on our **Finder Guide**

2. Subtract **X** from **K** to get bridge length, for example 30" (K) - 17" (X) = 13"

**X** = 17" on the multichair 6000

**X** = 19" on the multichair 6000Tilt

**X** = 20" on the multichair 6200

**X** = 22" on the multichair 6200Tilt

NOTE: Our standard bridge is 13". Nuprodx stocks bridges from 9" to 23" in 1" increments so you need to round up the calculated bridge length to the nearest whole number